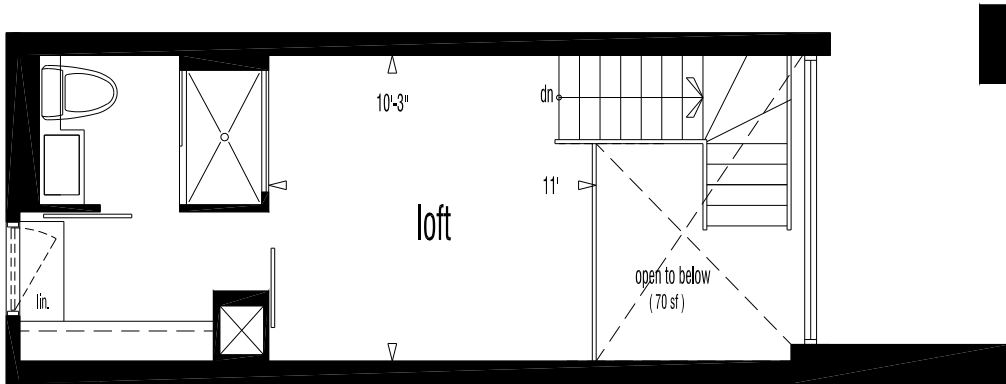
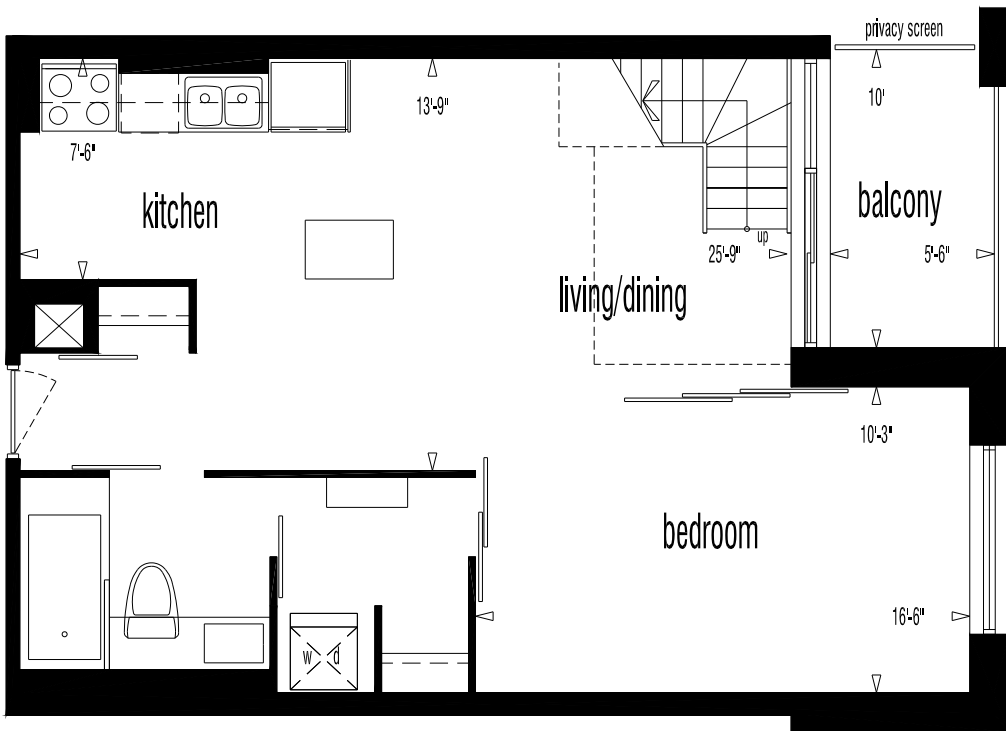


# DNA



UPPER LEVEL



LOWER LEVEL