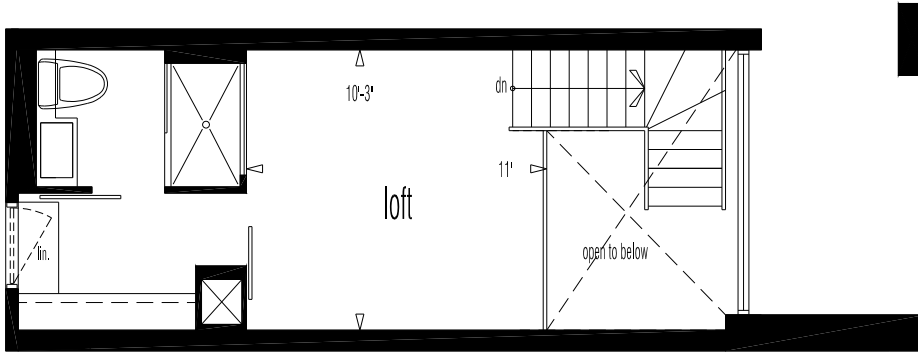
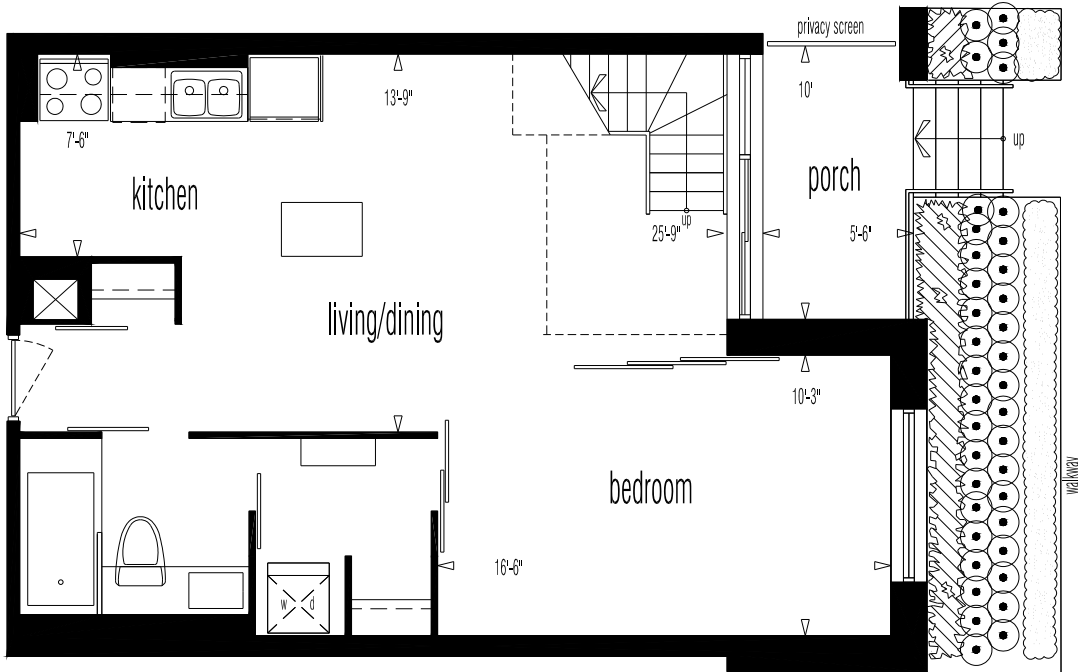


DNA



UPPER LEVEL



LOWER LEVEL